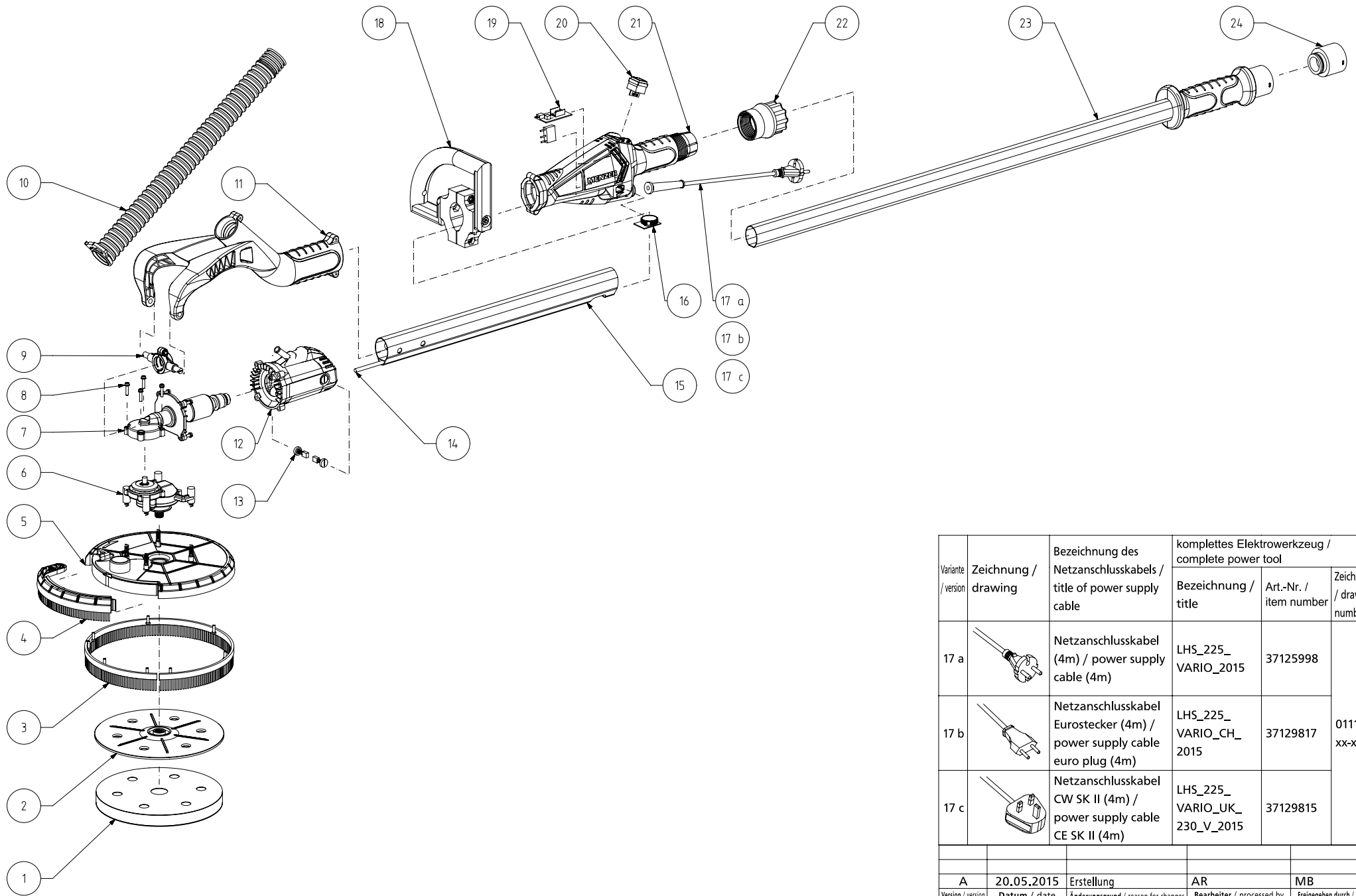


MENZER LHS 225 VARIO

Position	Name	Pcs. per unit
1	hook & loop backing pad (225mm) soft	1
2	driving plate (225mm) change-pad	1
3	brush ring (225mm) 2-parts	1
4	removable grinding head front 1 (225mm)	1
5	driving plate cover 1 (225mm)	1
6	gear box	1
7	armature (710W)	1
8	screw-set gear box	1
9	clamps	1
10	vacuum hose set 1	1
11	rocker arm BASE	1
12	stator 1 BASE	1
13	carbon brush 1	1
14	motor connecting wire (H05VV-F, 3x0,75mm ²)	1
15	main tube 1	1
16	speed controller BASE	1
17a	power supply cable (4m)	1
17b	power supply cable euro plug (4m)	1
17c	power supply cable CW SK II (4m)	1
18	extra handle	1
19	electronic 1	1
20	on/off switch with dust protection	1
21	timing case BASE	1
22	fixing nut BASE	1
23	telescoping tube 1 BASE	1
24	Lock connector	1
25	carrier bag 1	1



Variante / version	Zeichnung / drawing	Bezeichnung des Netzanschlusskabels / title of power supply cable	komplettes Elektrowerkzeug / complete power tool		
			Bezeichnung / title	Art.-Nr. / item number	Zeichnungsnr. / drawing number
17 a		Netzanschlusskabel (4m) / power supply cable (4m)	LHS_225_VARIO_2015	37125998	0111-B03-xx-xxxxxx
17 b		Netzanschlusskabel Eurostecker (4m) / power supply cable euro plug (4m)	LHS_225_VARIO_CH_2015	37129817	
17 c		Netzanschlusskabel CW SK II (4m) / power supply cable CE SK II (4m)	LHS_225_VARIO_UK_230_V_2015	37129815	
A	20.05.2015	Erstellung	AR	MB	
Version / version	Datum / date	Änderungsgrund / reason for changes	Bearbeiter / processed by	Freigegeben durch / approved by	
gesetzlicher Eigentümer / legitimate owner		Titel / title			
MENZER		LHS_225_VARIO_2015			
		Zeichnungsnummer / drawing number			
		0111-B03-06-000001			
		Artikelnummer / item number			
		37125998			